



SALAMANDER DESIGNS

UST PROJECTOR INTEGRATED CABINETS

DESIGNED FOR LEICA HOME CINEMA

salamanderdesigns.com

Seamless Stealthy Solution For Virtually Any Decor

A simple installation with no need to open the wall or ceiling to run cables. All supporting components can be enclosed in the credenza to provide a beautiful and simple solution.



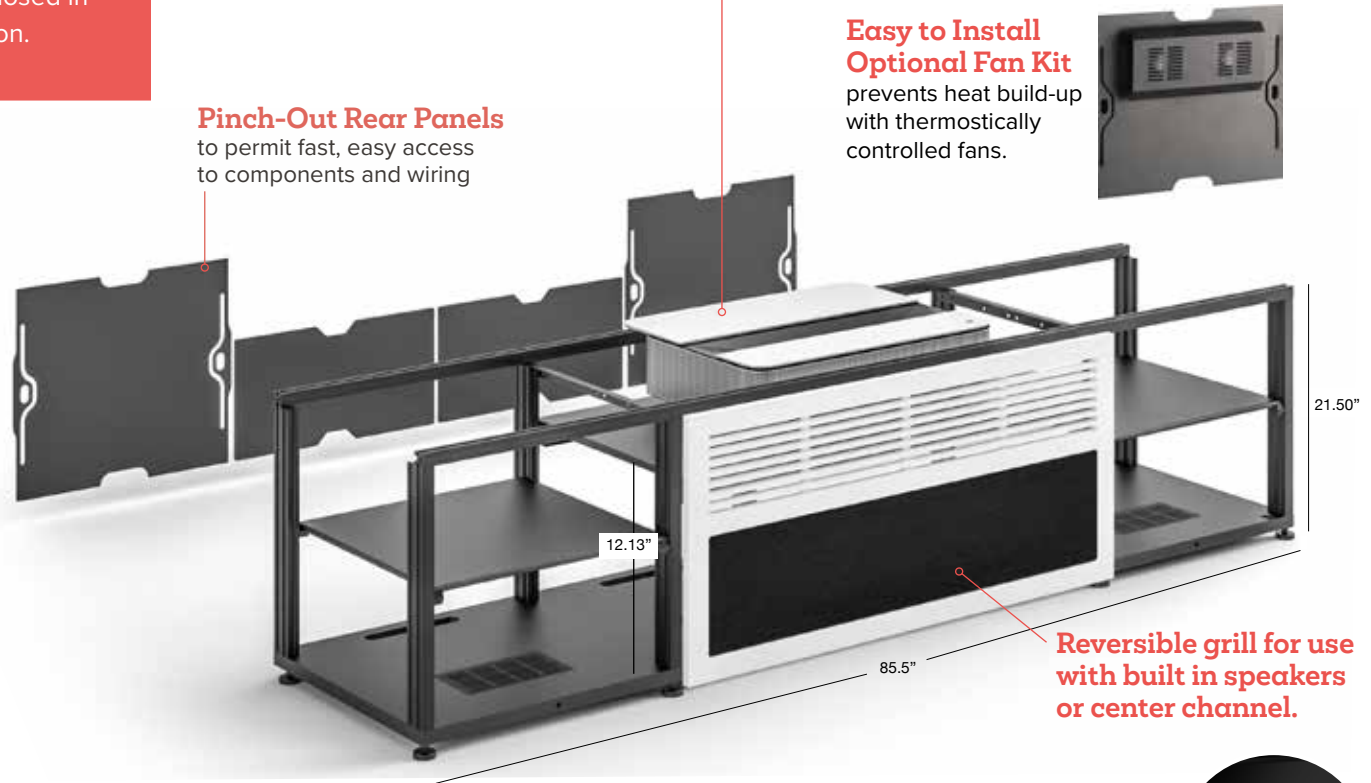
Features:

- Flush top surface, recessed projector cavity design
- Extruded aluminum frame creates a support skeleton
- Pinch-out rear panels to permit fast, easy access to components and wiring
- Wide variety of bolt-on options, footing and accessories are available

Designed for Leica Cine 1
Projector Sold Separately

Pinch-Out Rear Panels
to permit fast, easy access to components and wiring

Easy to Install Optional Fan Kit
prevents heat build-up with thermostatically controlled fans.



STYLES



CHICAGO

Black Oak, Grass Texture with Black Solid Surface Top

C2/LE/245CH/BK



MIAMI

Gloss, Warm White with Black Solid Surface Top

C2/LE/245MM/BK

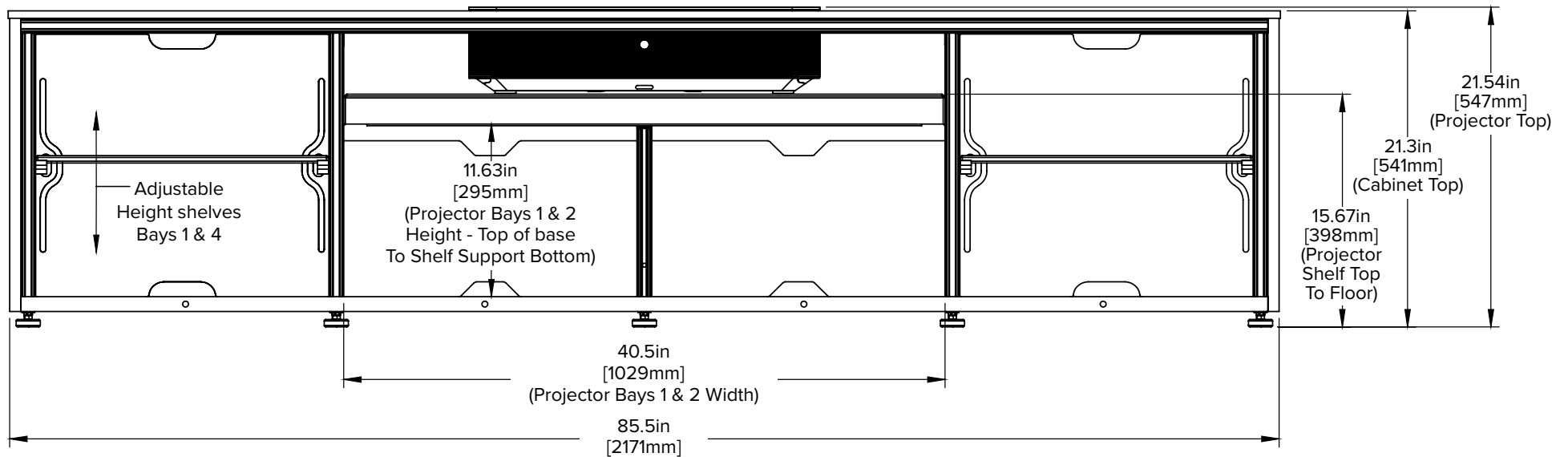
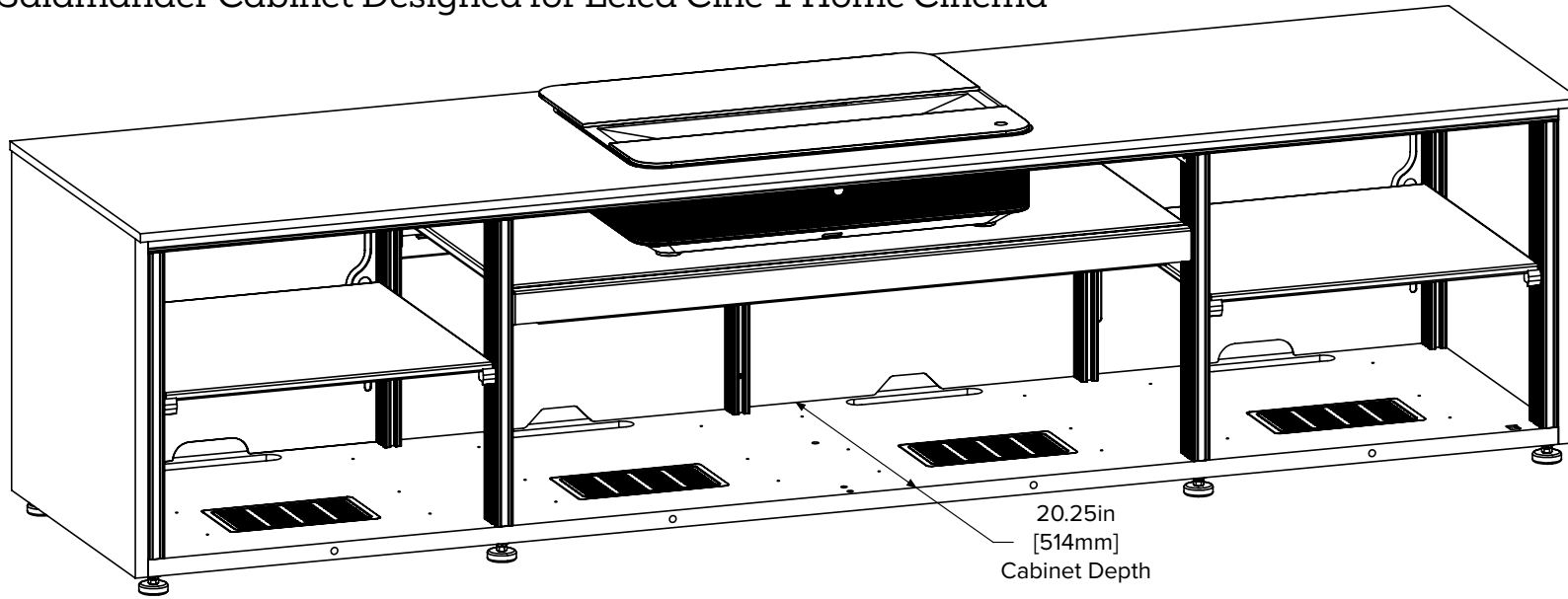


OSLO

Black Glass Doors & Black Oak End Panel with Black, Solid Surface Top

C2/LE/245OS/BK

Salamander Cabinet Designed for Leica Cine 1 Home Cinema



FRONT VIEW
(Doors And Front Panel Removed For Clarity)

Salamander Cabinet Designed for Leica Cine 1 Home Cinema

SIDE VIEW
 (Cabinet placement / Image Size)

| Diagonal Image | A | B | C |
|----------------|-----------------|----------------|-----------------|
| 100" | 7in [178mm] | 30.7in [779mm] | 79.6in [2024mm] |
| 120" | 11.26in [286mm] | 33in [828mm] | 91.4in [2322mm] |

